



ZONECONE

Black Base Cone

Introducing our new technologically advanced, superior Black Base Cone! Our Black Base Cone features new grip technology for reduced slippage while handling and interior bands for quick release stacking. This fade resistant cone out performs others with its Cold and Hot Temperature Formulation, making it the best fit for any climate. The Black Base Cone features a 16-lug base for additional support and reduced base cracking during runover incidents. This unique base improves surface friction to prevent skidding during placement.

The Black Base Cone creates a new class of traffic cones, designed for durability and made crash proof. Your safety demands it and Work Area Protection delivers it with high-visibility, durable, high-quality traffic cones.

Features

- Injection-molded for supreme durability
- New grip technology for easier handling
- Interior bands and wide base design reduce stacking issues
- Cold and Hot Temperature Formulation provides superior winter and summer performance
- Superior Fluorescent Pigment gives unmatched fade resistance
- Base and conical sections interlocked and fused to provide integral design
- 16 lug base provides additional support and reduced cracking during runovers
- New base design increases friction to prevent skidding
- NCHRP 350/MASH certified
- Meets MUTCD standards



Standard 28" Cone with 6" & 4" Reflective Collars

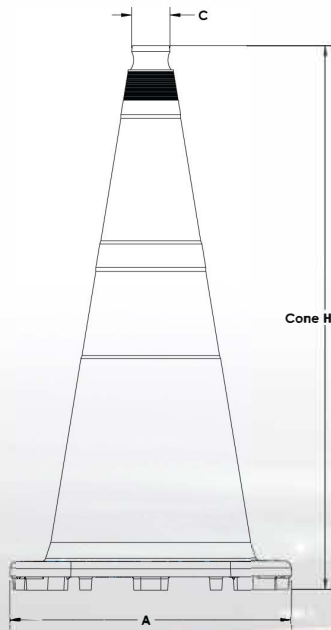
Available plain or with reflective collars attached



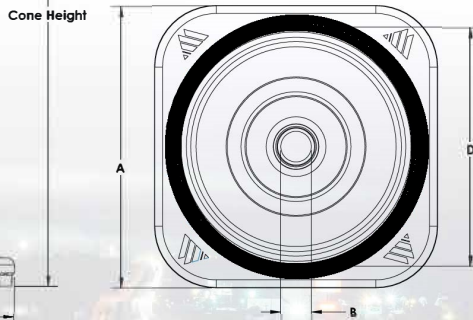


STANDARD BLACK BASE CONES

Product No.	Description	Model No.	Top Thickness	Bottom Thickness	A	B	C	D	Cone Height	Weight
412337	Standard	18PVCS-BB	0.09"	0.09"	10.5"	1.57"	1.93"	8.10"	18"	3 LB
412422	Standard	18PVCS6CC-BB	0.09"	0.09"	10.5"	1.57"	1.93"	8.10"	18"	3 LB
412424	Standard	28PVCS6CC4CC-BB	0.12"	0.12"	14.51"	1.57"	1.89"	11.38"	28"	7 LB
412425	Heavy	28PVCH6CC4CC-BB	0.12"	0.12"	14.51"	1.57"	1.89"	11.38"	28"	10 LB
412423	Trim-Line Heavy	28PVCTLH6CC4CC-BB	0.12"	0.12"	14.5"	1.57"	1.89"	8.83"	28"	10 LB
412426	Standard	36PVCS6CC4CC-BB	0.13"	0.13"	14.75"	1.58"	1.99"	11.69"	36"	10 LB
412427	Heavy	36PVCH6CC4CC-BB	0.13"	0.13"	14.75"	1.58"	1.99"	11.69"	36"	12 LB



A = Base size (square)
B = Hole diameter at top
C = Cone diameter at top
D = Cone diameter at base



Pacific Products
 7323 Lynwood Way
 Highland CA 92346
 909.633.1180