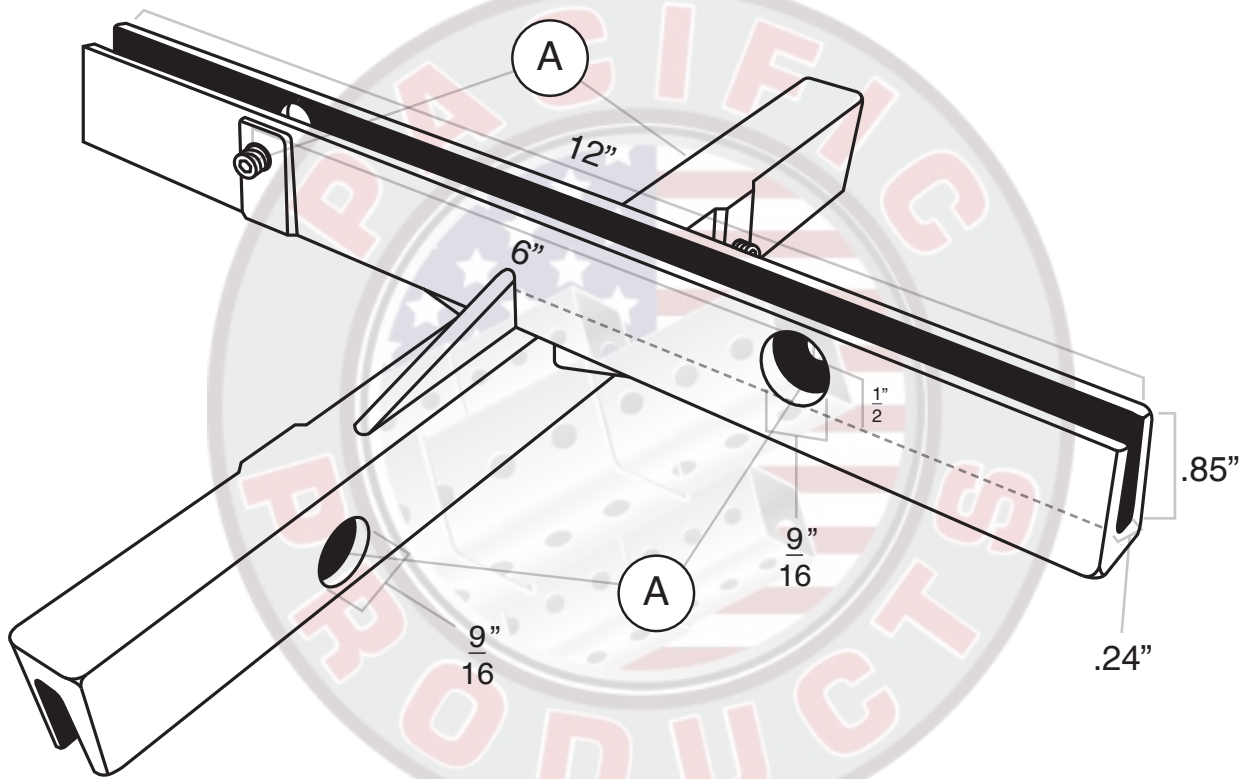
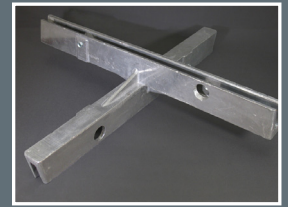




90° Cross Piece

120CPF090



| Description | Fasteners | Blade Holder Length | Blade Type | Recommended for Blade Length | Units/Box |
|--|--|---------------------|------------|------------------------------|-----------|
| 90° Cross Piece • Weight: 1.4 lbs. | INCLUDED: (A) 5/16" - 18 x 1/2" Set Screw Qty: 4 OPTIONAL: • VP Button Head Set Screws B-VPSS51638-MS • 12 point Bolts B-12P51612-AL • VP Button Head Bolt VPBH51634-MS | 12" | Flat | 30" - 42" | 25 |

INSTALLATION:

- 9/16" clearance holes allow secure and balanced installation
- 25-40 pounds of pressure is sufficient to secure sign
- Fasteners come pre-installed

QUALITY:

- Die Cast Brackets are cast from high strength aluminum under 400 tons pressure.
- Tensile strength 45,000 P.S.I. tumbled and degreased for smoothness and ease of handling.