

ROADGUIDE™
BRIDGE AND CONCRETE BARRIER MARKERS
TD9300/TD9400 MODELS

IMPROVED DESIGN FOR BETTER ADHESION



9300 MODEL



9400 MODEL

FEATURES:

- Produced using specially formulated high impact polymer that provides exceptional flexibility increasing impact resistance.
- Larger molded hole to allow more adhesive to flow through to increase bond between marker and barrier, facilitating ease of installation.
- Injection molded to bend on impact and return to their original shape.
- All sheeting complies with ASTM 4956.01.

COLORS AVAILABLE:

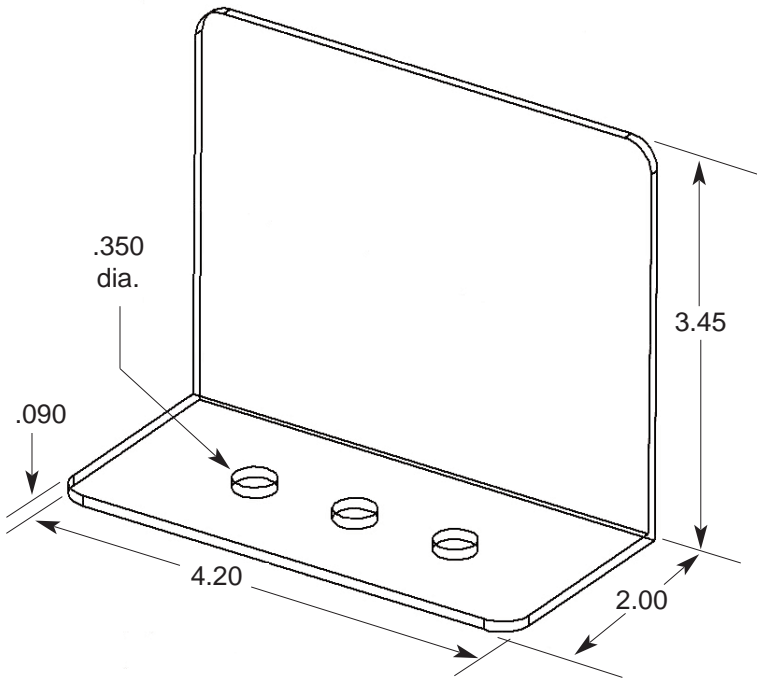
The TD9300 and TD9400 models are available in white. Three D Traffic Works can manufacture this product to your desired color.

GENERAL INFORMATION:

General information is listed on the reverse side. The measurements provided are intended only as a source of information. They are given without guarantee and are not classified as a warranty. A specification will be sent to you upon request.



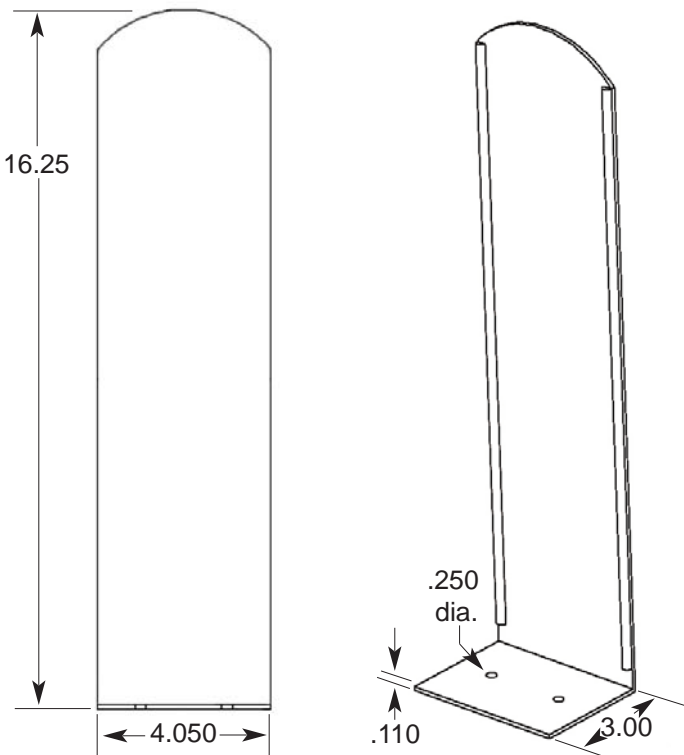
**MADE IN
USA**



TD9300 MODEL ROADGUIDE™ CONCRETE BARRIER MARKER SPECIFICATIONS

Dimensions: Model TD9300 Marker

- Height: 3.45 Inches
- Width: 4.20 Inches
- Foot Depth: 2.00 Inches
- Thickness: 0.09 Inches
- Hole Diameter: .35 Inches
- Max Reflectivity: 12 Sq. Inches
- Material: Specially Formulated High Impact Polymer, with UV Stabilizers and Cold Weather Protection Package.



TD9400 MODEL ROADGUIDE™ CONCRETE BARRIER MARKER SPECIFICATIONS

Dimensions: Model TD9400 Marker

- Height: 16.25 Inches
- Width: 4.00 Inches
- Foot Depth: 3.00 Inches
- Thickness: 0.10 Inches
- Hole Diameter: .25 Inches
- Max Reflectivity: 36 Sq. Inches
- Material: Specially Formulated High Impact Polymer, with UV Stabilizers and Cold Weather Protection Package.